

**SERIES LTC200**

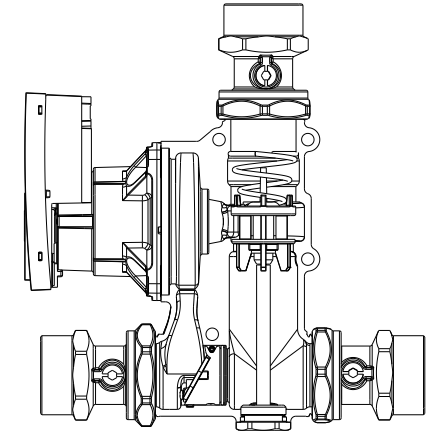
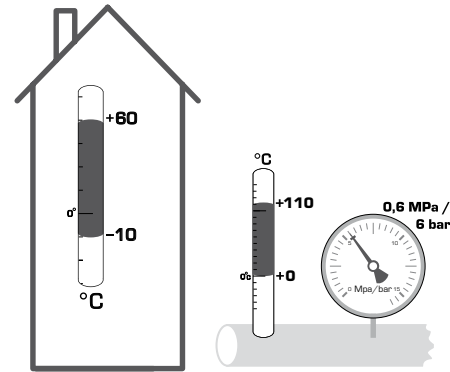


Mtrl.nr: 9814 04 60 • Ritn.nr: 4744 utg. A • Rev. 1206

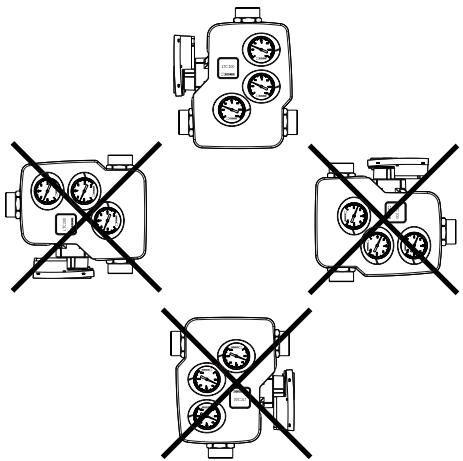


Series LTC261

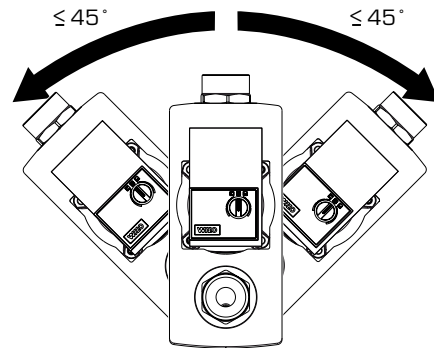
CE  
LVD 73/23/EEC  
EMC 89/336/EEC  
PED



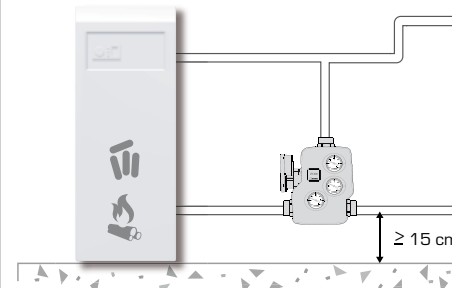
**1**



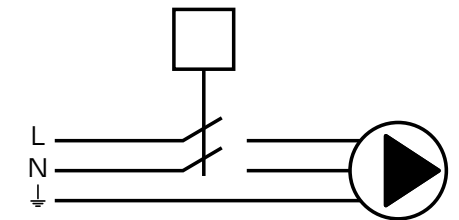
**2**



**3**

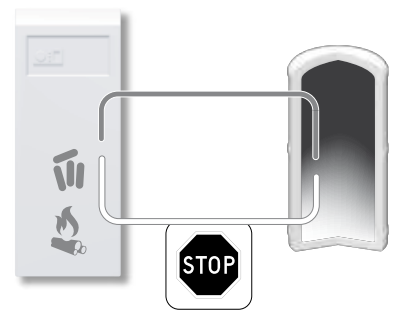
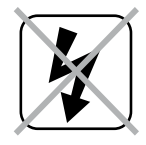
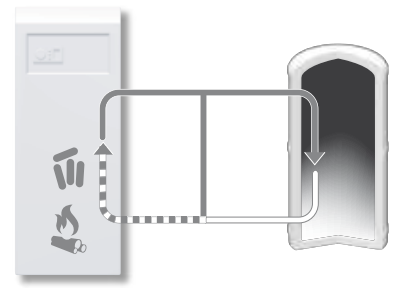


**230 VAC, 50Hz**

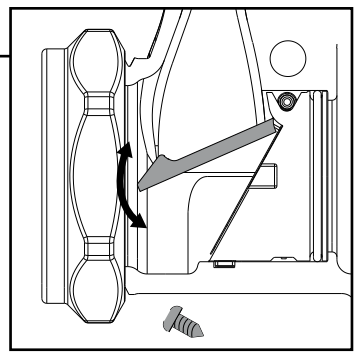
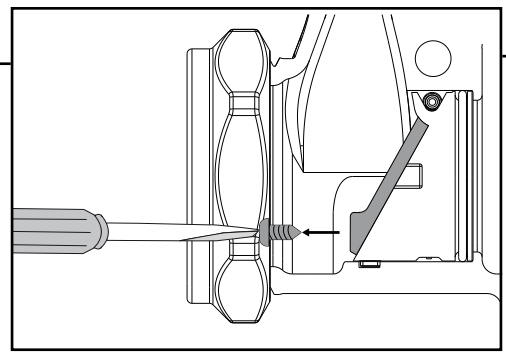
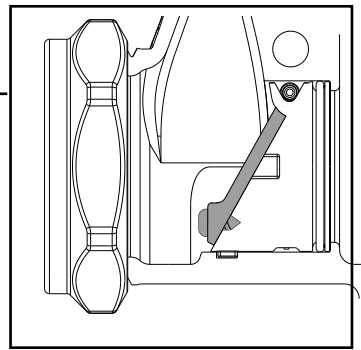
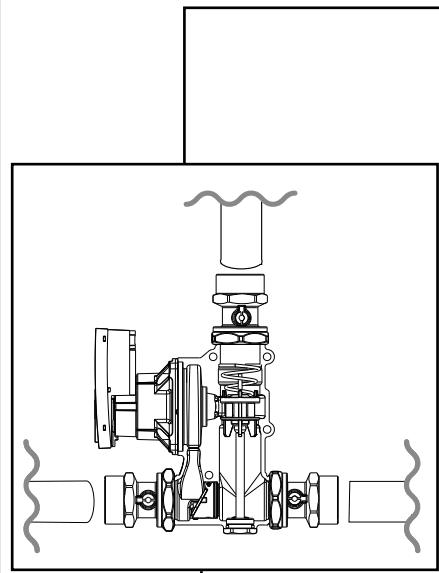
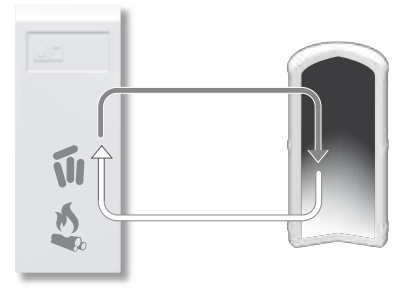
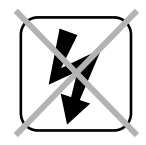
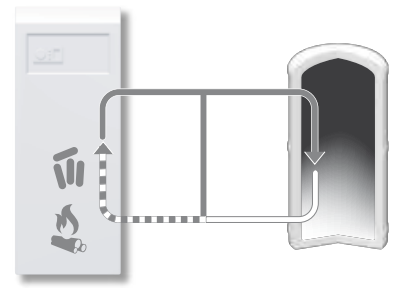


4

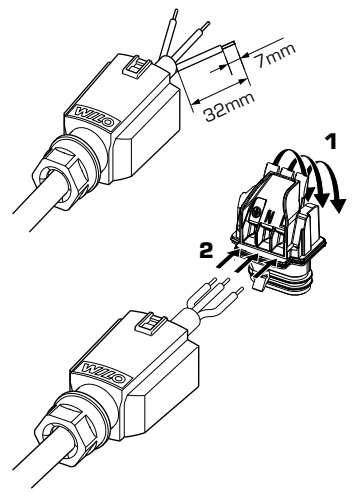
**a**



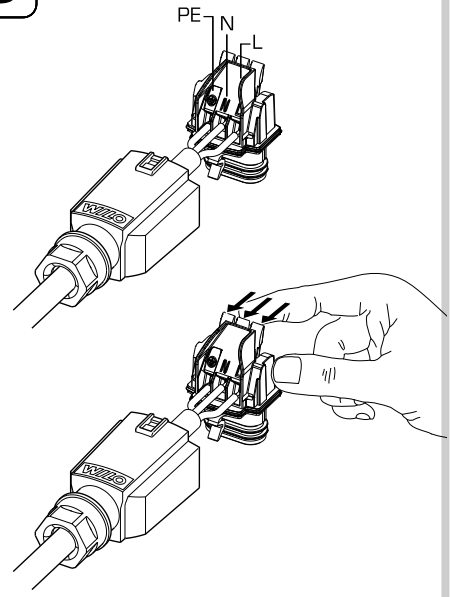
**b**



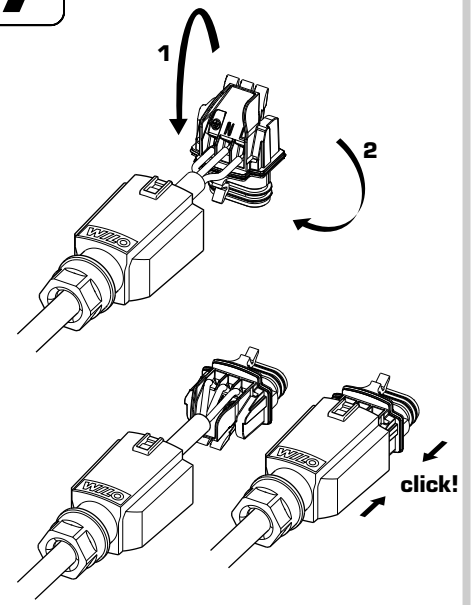
**5**



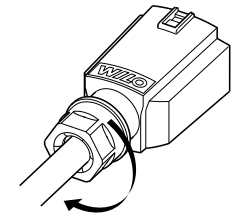
**6**



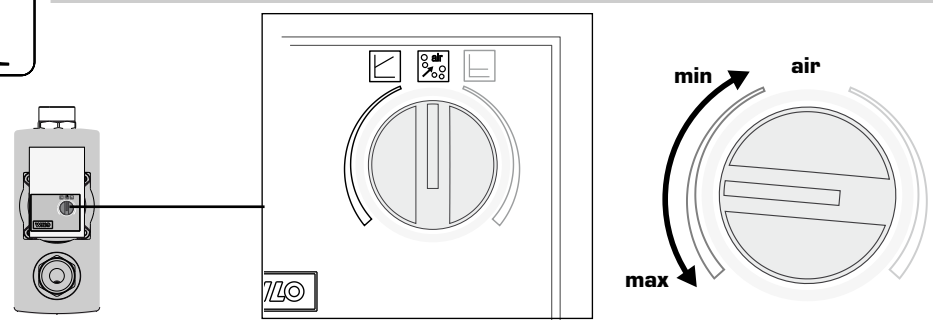
**7**



**8**

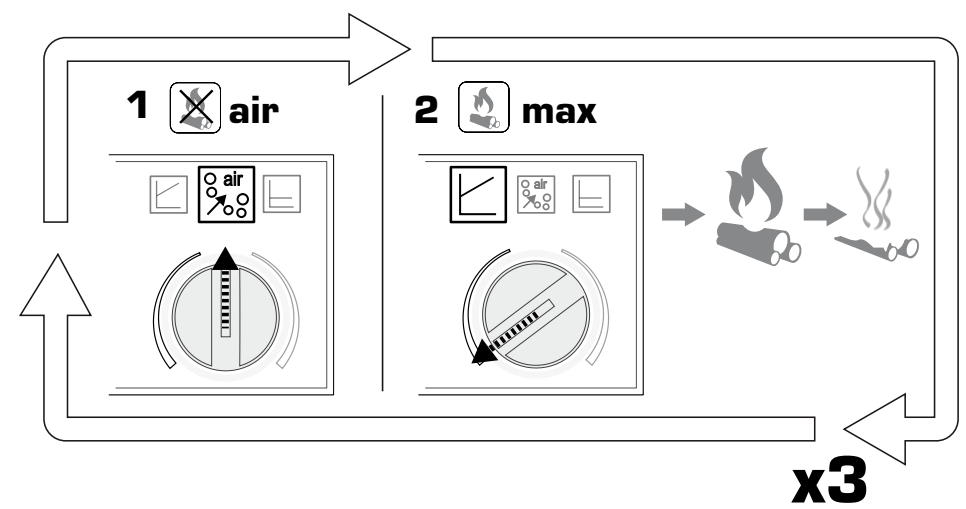


**i**



**9**

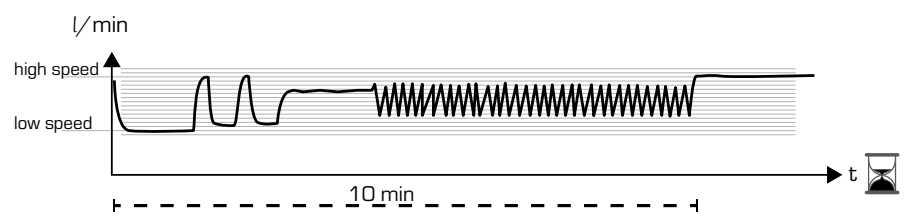
**Air venting at commissioning**



**i**



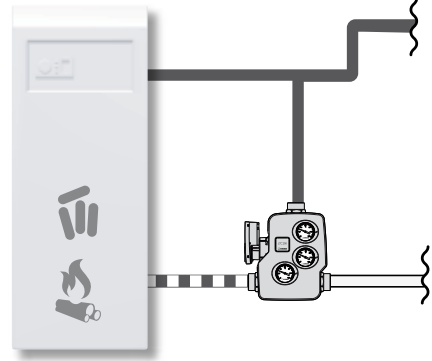
**Automatic air venting routine**



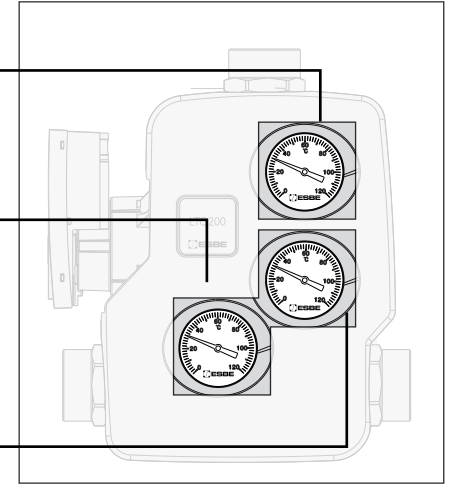
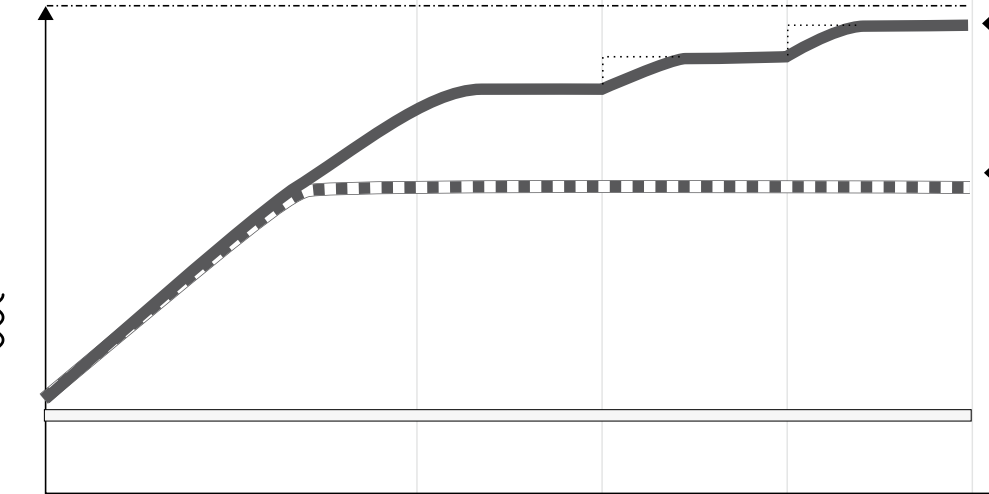
10



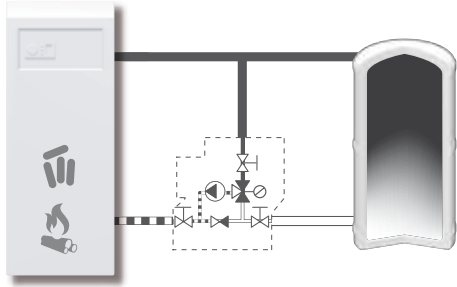
Optimising load temperature



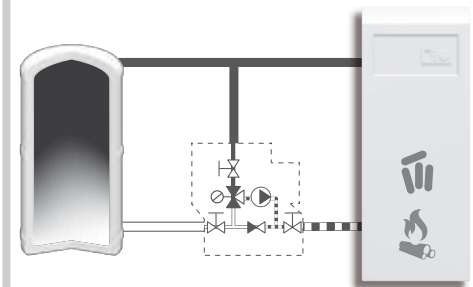
Temp °C



i

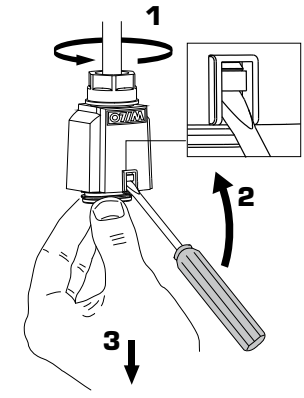


i



Piping Schematics are General Representations

i



i



www.esbe.eu